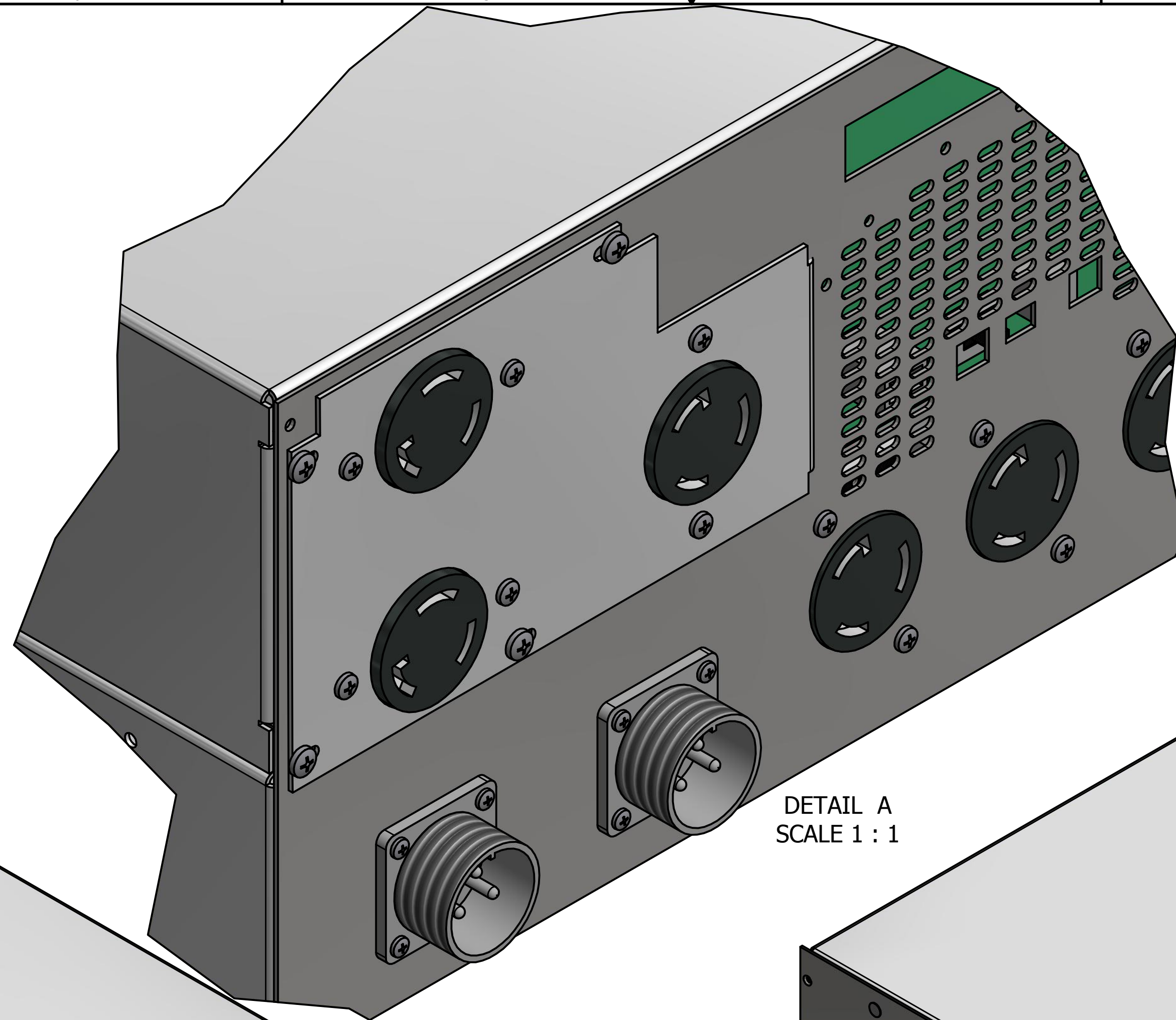
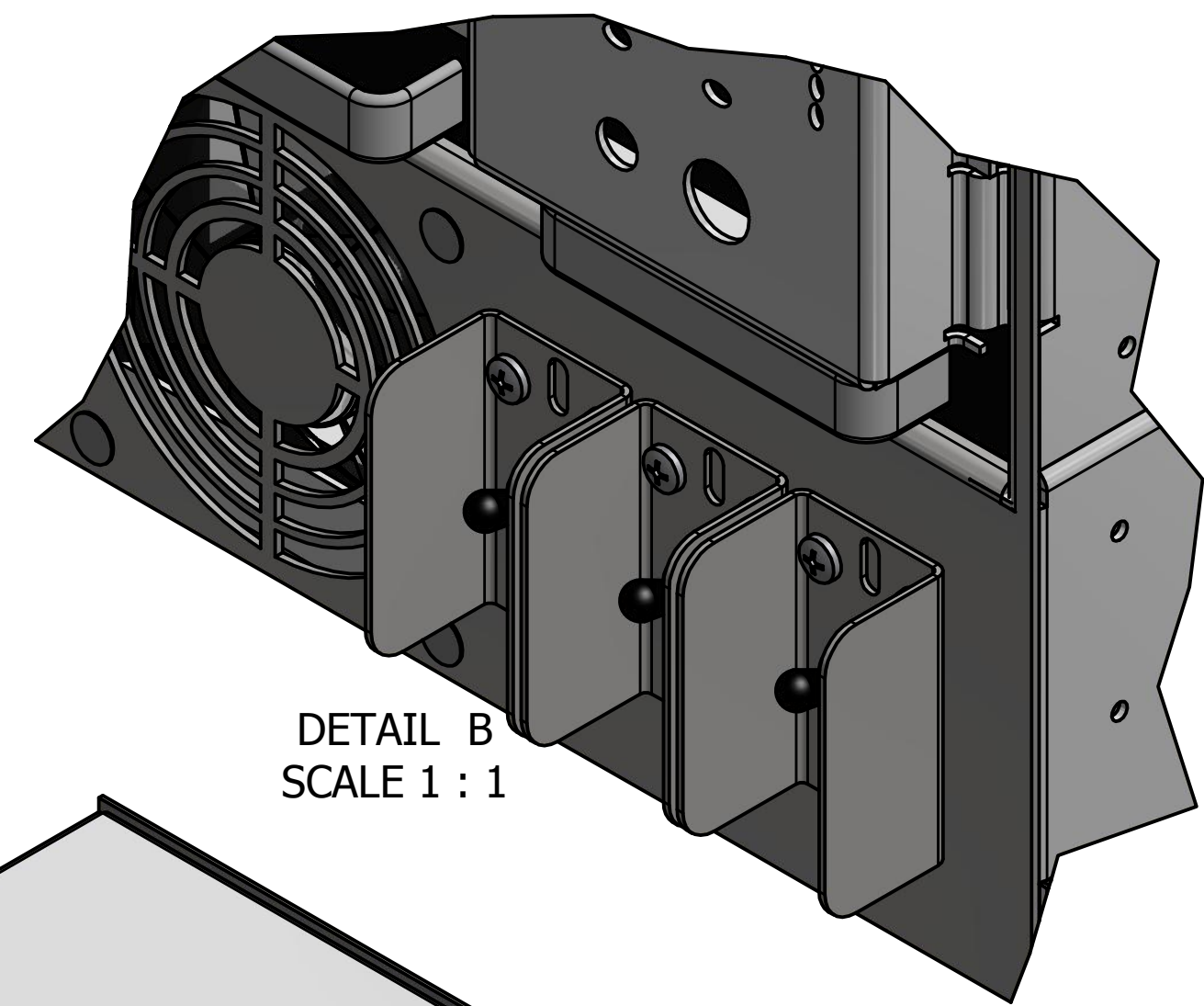


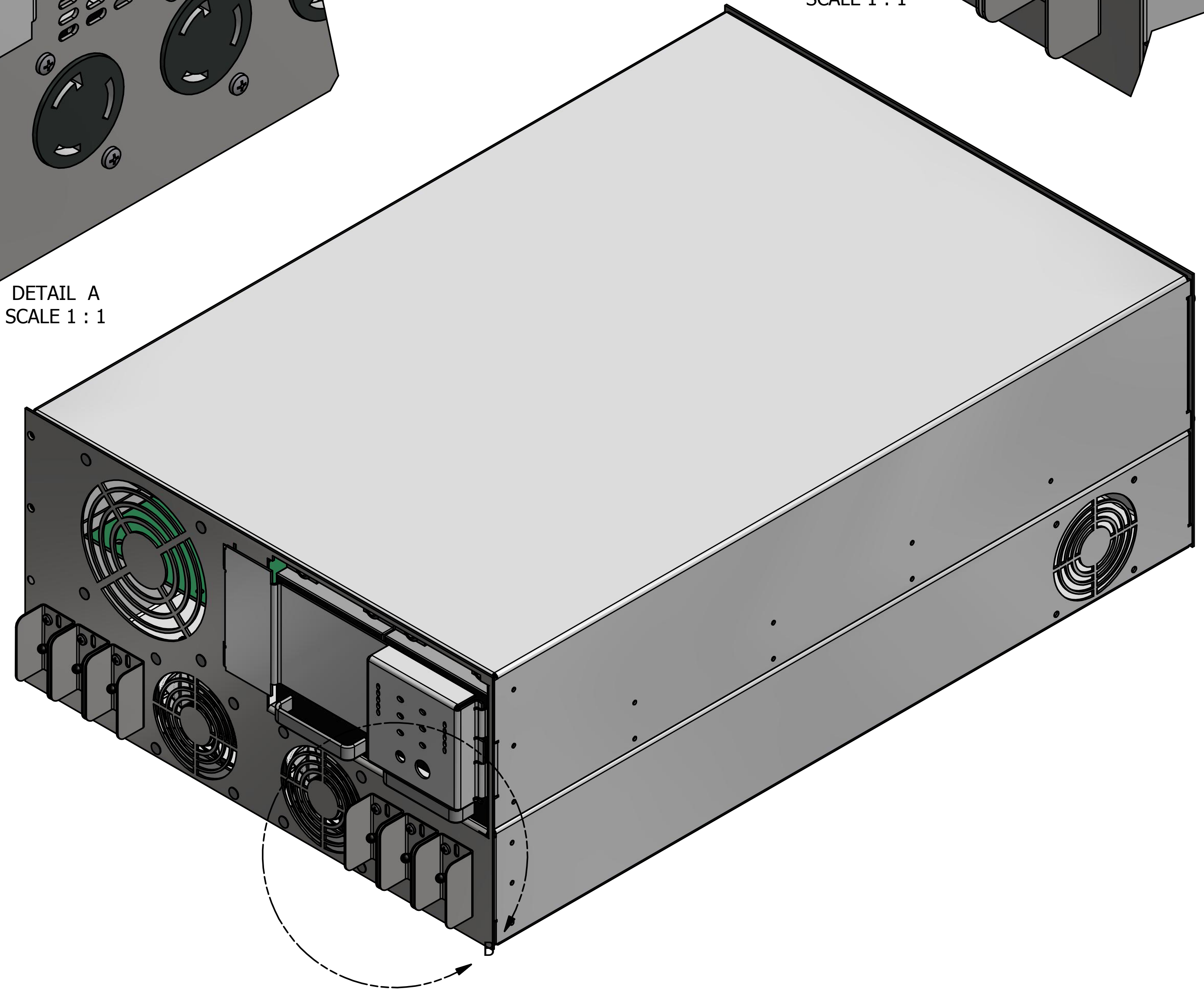
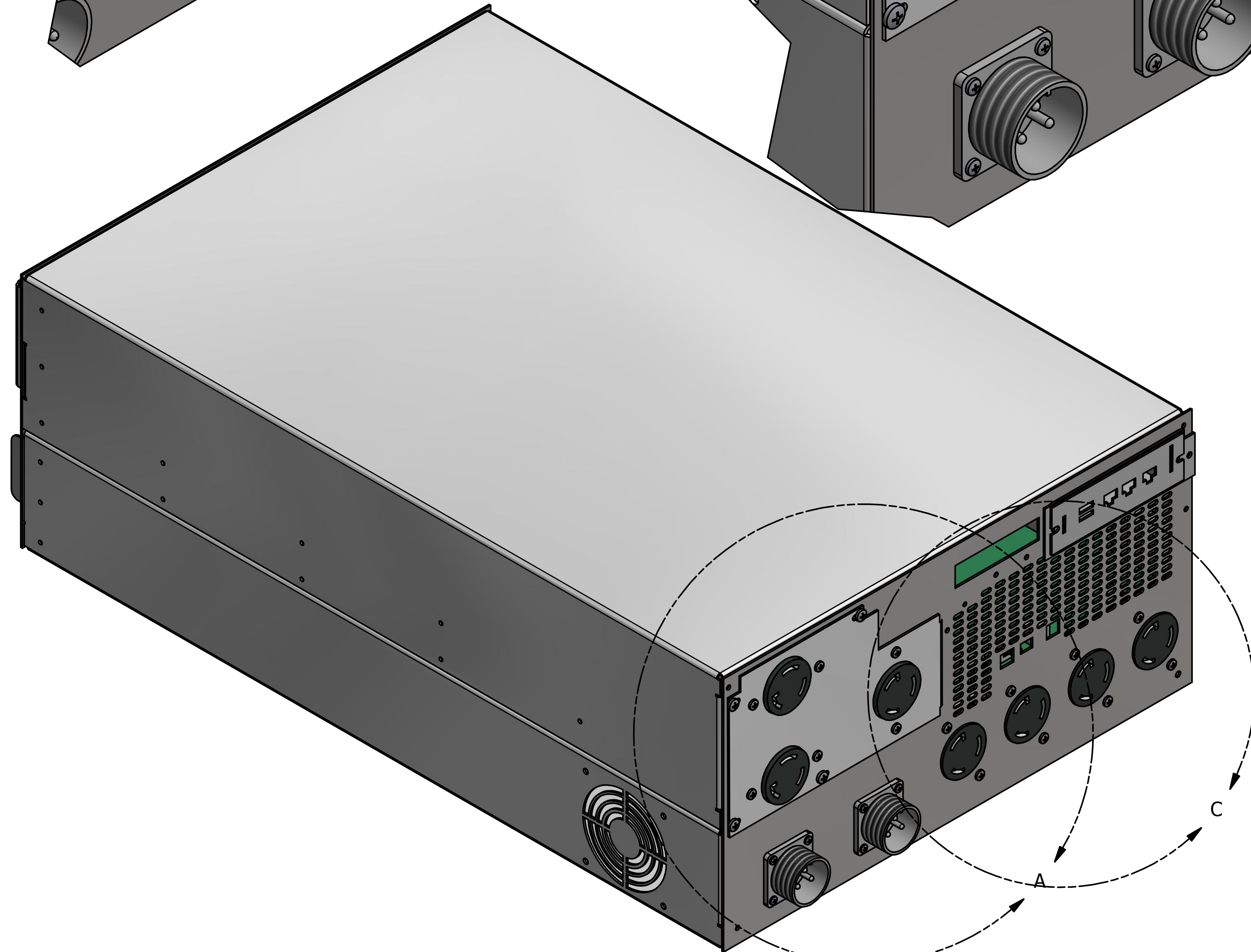
DETAIL C  
SCALE 1 : 1



DETAIL A  
SCALE 1 : 1




DETAIL B  
SCALE 1 : 1



THIS DRAWING IS THE PRIVATE AND CONFIDENTIAL PROPERTY OF PowerStar AND MUST NOT BE LOANED, COPIED, OR REPRODUCED WITHOUT WRITTEN PERMISSION, AND MUST BE RETURNED TO PowerStar UPON REQUEST.

UNLESS OTHERWISE SPECIFIED:  
1. DIMENSIONS ARE IN INCHES  
2. FINISH: ALL SURFACES  
3. PARTS ARE THE SAME AS DRAWING NO.  
4. FINISH TO BE PER SPECIFICATIONS  
5. DO NOT SCALE THIS DRAWING

TOLERANCES  
FRAC. ± 1/32  
"K ± 0.020  
.XX ± 0.010  
.XXX ± 0.005  
ANG. ± 1/4°

DRAWN & ENG.	BSL	2/3/2014	 PowerStar 9073 Shady Grove Ct. Gaithersburg, MD 20877 (301) 946-0713	
CHECKED				
QA DEPT. APPR.			TITLE	
MFG			PS6006-EB-H / AP9628	
APPROVED			SIZE	DWG NO
			D	NEW PANEL Assembly1025-13FEB
			SCALE	SHEET 4 OF 5